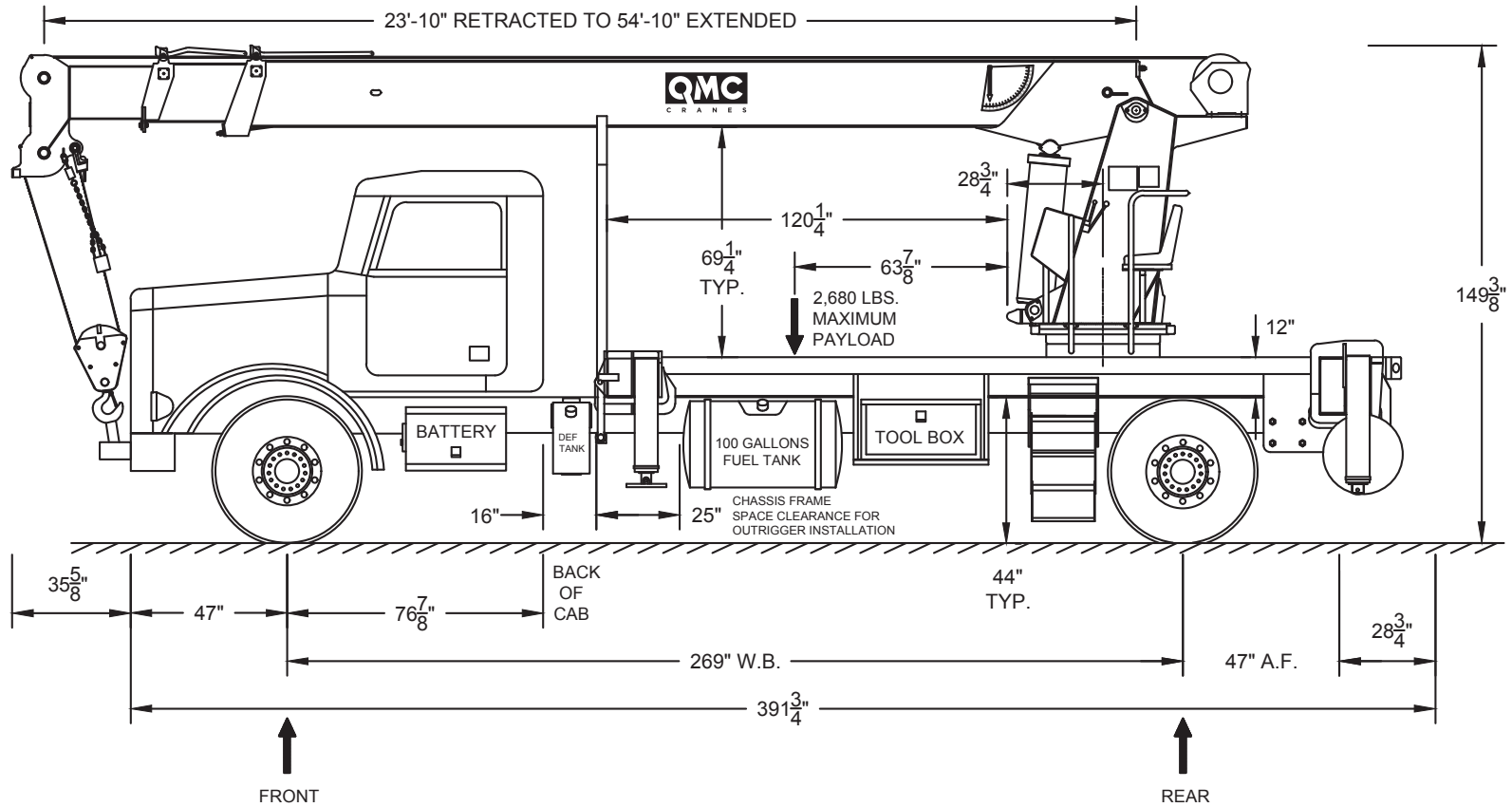


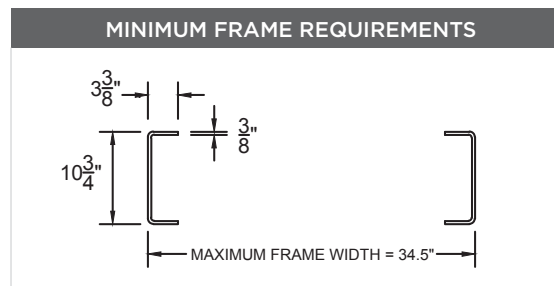
# QMC 4055C

## CENTER MOUNT

ASME B30.5  
IMPERIAL 85%



BASIS OF DESIGN		
ITEM	DESCRIPTION	REMARKS
Truck chassis		Per customer
Driver weight	250 pounds	Included in analysis
Fuel tank	100 gallons	Included in analysis
Hydraulic tank	75 gallons	Included in analysis, location may vary
Tool box	36" long	Size may vary, aluminum construction



Minimum section modulus per rail = 17.8 in.<sup>3</sup>  
Minimum yield strength = 110 KSI

WEIGHT DISTRIBUTION			
	FRONT	REAR	TOTAL
Truck	10,640	4,730	15,370
Crane	6,000	13,750	19,750
Payload	1,160	1,520	2,680
Totals	17,800	20,000	37,800

Total axle limits shown are based on Federal D.O.T. regulations bridge formula.

Truck dimensions, weights, payload, and lifting performance representative of design baseline. Variations from information shown (truck weights, wheel base, front axle to back of cab, and more) may be accommodated and may result in adjustment of payload, payload size, and crane lifting capacity. Contact QMC Cranes with your requirements.

# QMC 4055C

## CENTER MOUNT

### Load Chart

Red lines indicate transition from structural to tipping limits. Loads above the line are based on structural limits. Loads below the line are based on 85% actual tipping condition per ASME B30.5.

24 FOOT BOOM				
WORKING RADIUS	BOOM ANGLE	RATED LOAD		
		REAR	SIDE	FRONT
6	77	45,400	45,400	45,400
8	72	45,400	45,400	45,400
10	67	40,200	40,200	40,200
12	61	35,400	35,400	35,400
15	52	30,200	30,200	30,200
18	42	24,900	24,900	17,600
20	33	22,100	22,100	12,700
23	0	17,800	16,800	8,500

39 FOOT BOOM				
WORKING RADIUS	BOOM ANGLE	RATED LOAD		
		REAR	SIDE	FRONT
10	78	36,000	36,000	36,000
12	75	31,200	31,200	31,200
15	70	26,100	26,100	26,100
18	65	22,700	22,700	18,100
20	61	20,900	20,900	13,200
25	52	17,000	13,600	7,400
30	42	13,000	8,400	4,800
35	27	10,300	5,700	3,200
38.5	0	8,900	4,500	2,500

55 FOOT BOOM				
WORKING RADIUS	BOOM ANGLE	RATED LOAD		
		REAR	SIDE	FRONT
15	78	22,300	22,300	22,300
18	74	19,800	19,800	18,300
20	72	18,200	18,200	13,400
25	66	14,700	13,800	7,500
30	60	12,400	8,500	4,900
35	53	10,400	5,900	3,400
40	46	8,600	4,300	2,400
45	37	7,200	3,200	1,700
50	25	6,000	2,400	1,200
54	0	5,200	1,900	900

Working radius is in feet. Loads are in pounds and boom angles are in degrees. Capacity limits will apply based on the load block selected.

WIRE ROPE CAPACITY								
Parts Line	1	2	3	4	5	6	7	8
Load Limit	9,080	18,160	27,240	36,320	45,400	0	0	0

Do not exceed parts of line ratings.

1. Load does not include blocks, slings, and all other equipment used to handle objects being lifted.
2. Load ratings are for zero degree list.
3. Loads must be freely suspended.
4. Rope: Rotation resistant, compacted strand, 9080 lb. capacity.
5. This chart is only a guide and should not be used to operate the crane. Individual crane's load chart, operating instructions, and other instructional plates must be read and understood prior to operating crane.