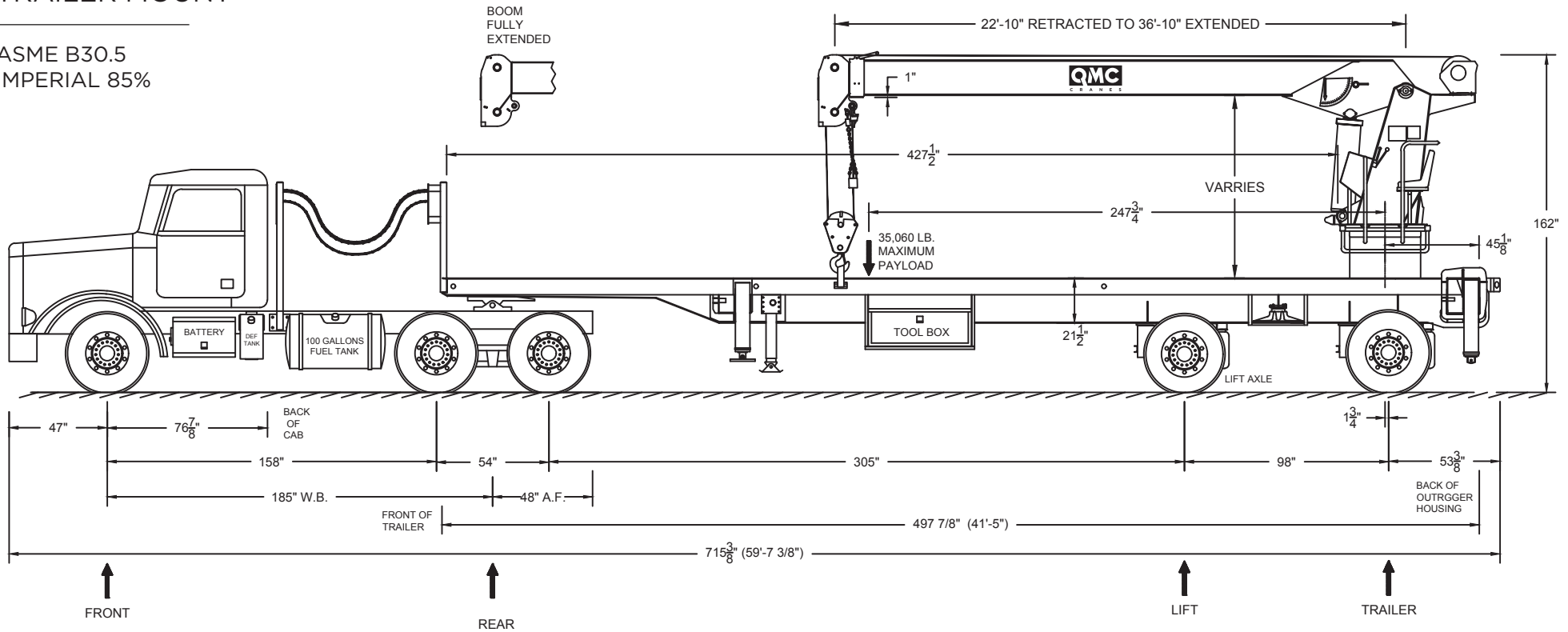


QMC 4037T

TRAILER MOUNT

ASME B30.5
IMPERIAL 85%



BASIS OF DESIGN		
ITEM	DESCRIPTION	REMARKS
Tractor chassis		Per customer
Driver weight	250 pounds	Included in analysis
Fuel tank	100 gallons	Included in analysis
Hydraulic tank	60 gallons	Included in analysis, location may vary
Tool Box	48" Long	Aluminum

WEIGHT DISTRIBUTION					
	FRONT	REAR	LIFT	TRAILER	TOTAL
Tractor	10,080	8,650	0	0	18,730
Crane + Trailer	0	5,310	10,450	10,450	26,210
Payload	0	18,420	8,320	8,320	35,060
Totals	10,080	32,380	18,770	18,770	80,000

Total axle limits shown are based on Federal D.O.T. regulations bridge formula.

Truck dimensions, weights, payload, and lifting performance representative of design baseline. Variations from information shown (truck weights, wheel base, front axle to back of cab, and more) may be accommodated and may result in adjustment of payload, payload size, and crane lifting capacity. Contact QMC Cranes with your requirements.

Load Chart

Red lines indicate transition from structural to tipping limits. Loads above the line are based on structural limits. Loads below the line are based on 85% actual tipping condition per ASME B30.5.

23 FOOT BOOM				
WORKING RADIUS	BOOM ANGLE	RATED LOAD		
		REAR	SIDE	FRONT
6	76	45,400	45,400	45,400
8	71	45,400	45,400	45,400
10	65	40,200	40,200	40,200
12	59	35,500	35,500	35,500
15	49	30,400	30,400	30,400
18	38	25,300	25,300	25,300
20	27	22,600	22,600	22,600
22.0	0	19,300	19,300	19,300

29 FOOT BOOM				
WORKING RADIUS	BOOM ANGLE	RATED LOAD		
		REAR	SIDE	FRONT
8	76	44,500	44,500	44,500
10	72	37,700	37,700	37,700
11	67	33,000	33,000	33,000
15	61	28,100	28,100	28,100
18	53	24,700	24,700	24,700
20	48	22,800	22,800	22,800
25	31	17,400	15,700	17,600
28.5	0	13,600	12,300	14,600

37 FOOT BOOM				
WORKING RADIUS	BOOM ANGLE	RATED LOAD		
		REAR	SIDE	FRONT
10	77	34,600	34,600	34,600
12	73	30,800	30,800	30,800
15	68	26,300	26,300	26,300
18	63	22,900	22,900	22,900
20	59	21,200	21,200	21,200
25	49	17,500	15,900	17,700
30	37	12,600	11,500	14,400
36	0	9,200	8,400	11,300

Working radius is in feet. Loads are in pounds and boom angles are in degrees. Capacity limits will apply based on the load block selected.

WIRE ROPE CAPACITY								
Parts Line	1	2	3	4	5	6	7	8
Load Limit	9,080	18,160	27,240	36,320	45,400	0	0	0

Do not exceed parts of line ratings. Capacity limits will apply based on the load block selected.

1. Tractor must be attached.
2. Load does not include blocks, slings, and all other equipment used to handle objects being lifted.
3. Load ratings are for zero degree list.
4. Loads must be freely suspended.
5. Rope: Rotation resistant, compacted strand, 9080 lb. capacity.
6. This chart is only a guide and should not be used to operate the crane. Individual crane's load chart, operating instructions, and other instructional plates must be read and understood prior to operating crane.