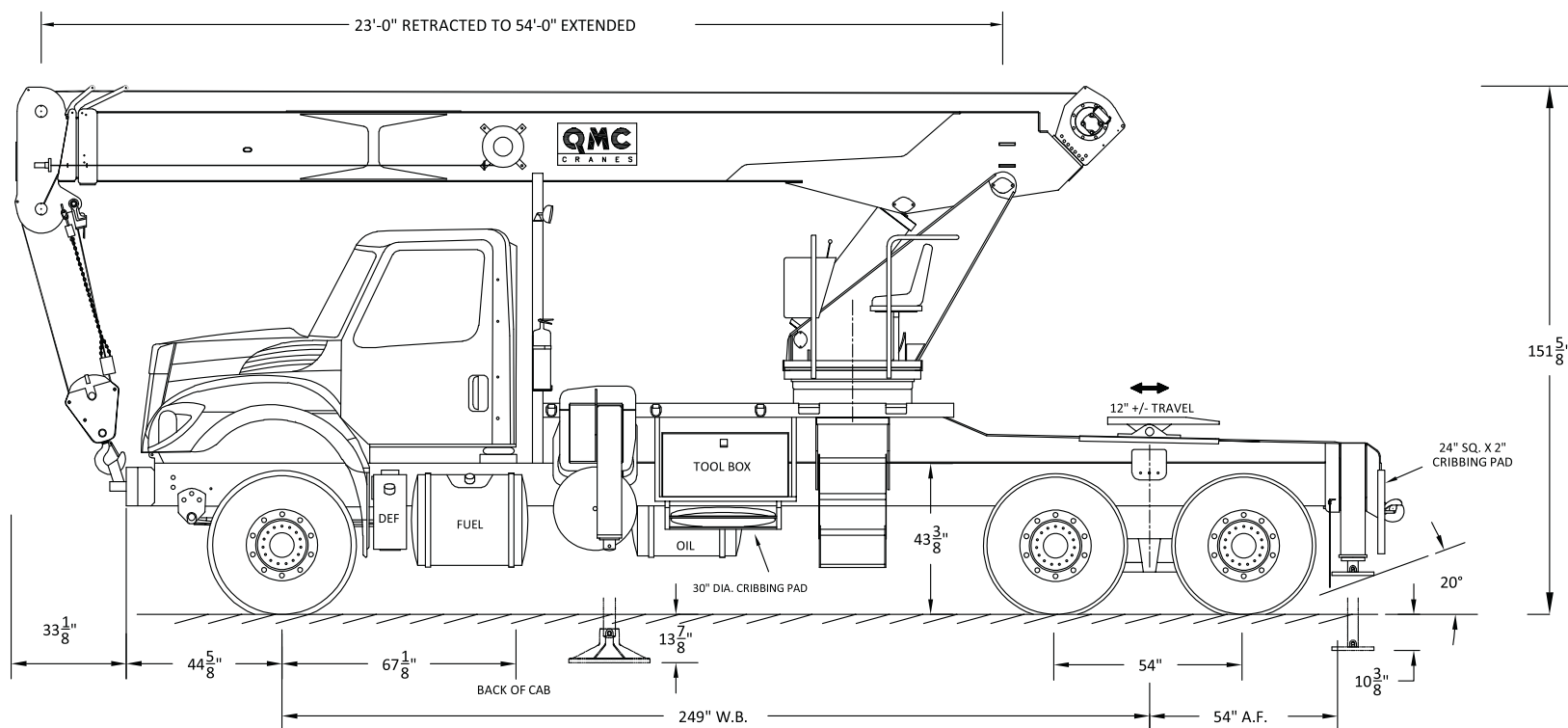


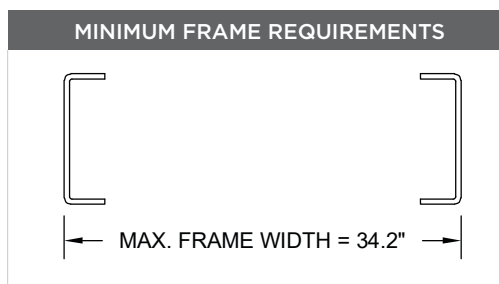
QMC 4554S

TRACTOR MOUNT

ASME B30.5
IMPERIAL 85%



BASIS OF DESIGN		
ITEM	DESCRIPTION	REMARKS
Tractor chassis	HV607 SBA	International HV607 SBA
Driver weight	250 pounds	Included in analysis
Fuel tank	70 gallons	Included in analysis
Hydraulic tank	60 gallons	Included in analysis, location may vary
36" X 18" Tool Box	Aluminum	



Minimum section modulus per rail = 21.0 in.³
Minimum yield strength = 110 KSI

WEIGHT DISTRIBUTION			
	FRONT	REAR	TOTAL
Truck	10,690	7,440	18,130
Crane	7,660	12,390	20,050
Trailer	0	14,170	14,170
Totals	18,350	34,000*	52,350
Reserve	900		
Maximum*	19,250*	34,000*	53,250*

*Maximum axle limits shown are based on Federal D.O.T. regulations bridge formula.

Truck dimensions, weights, payload, and lifting performance representative of design baseline. Variations from information shown (truck weights, wheel base, front axle to back of cab, and more) may be accommodated and may result in adjustment of payload, payload size, and crane lifting capacity. Contact QMC Cranes with your requirements.

Load Chart

Red lines indicate transition from structural to tipping limits. Loads above the line are based on structural limits. Loads below the line are based on 85% actual tipping condition per ASME B30.5.

23 FOOT BOOM				
WORKING RADIUS	BOOM ANGLE	RATED LOAD		
		REAR	SIDE	FRONT
6	68	61,000	59,100	58,900
8	63	51,800	51,300	51,100
10	57	45,000	44,700	34,100
12	50	39,500	38,500	21,700
15	39/39/38	30,900	30,900	13,500
18	23/23/22	25,200	25,200	9,300
19.4	0	16,400	16,400	7,900

39 FOOT BOOM				
WORKING RADIUS	BOOM ANGLE	RATED LOAD		
		REAR	SIDE	FRONT
8	75	32,100	32,100	32,100
10	72	32,800	32,800	32,800
12	69	33,600	33,600	22,000
15	64	29,100	29,100	13,800
18	59	25,300	25,300	9,700
20	55	22,800	21,400	8,000
25	45/44/44	17,600	14,200	5,200
30	32/31/31	14,100	10,300	3,600
34.9	0	8,700	7,800	2,500

54 FOOT BOOM				
WORKING RADIUS	BOOM ANGLE	RATED LOAD		
		REAR	SIDE	FRONT
12	77	-	-	22,200
15	74	25,000	25,000	13,900
18	71	21,900	21,900	9,800
20	68	20,200	20,400	8,100
25	62	16,700	14,300	5,300
30	55	14,200	10,500	3,700
35	48/47/47	11,700	8,000	2,600
40	40/39/39	9,900	6,400	1,900
45	29/28/28	8,400	5,200	1,300
50	10/10/9	7,100	4,200	900
50.4	0	5,400	4,100	800

Working radius is in feet. Loads are in pounds and boom angles are in degrees. Capacity limits will apply based on the load block selected.

WIRE ROPE CAPACITY								
Parts Line	1	2	3	4	5	6	7	8
Load Limit	9,080	18,160	27,240	36,320	45,400	54,480	63,560	0

Do not exceed parts of line ratings.

1. Load does not include blocks, slings, and all other equipment used to handle objects being lifted.
2. Load ratings are for zero degree list.
3. Loads must be freely suspended.
4. Rope: Rotation resistant, compacted strand, 9080 lb. capacity.
5. This chart is only a guide and should not be used to operate the crane. Individual crane's load chart, operating instructions, and other instructional plates must be read and understood prior to operating crane.