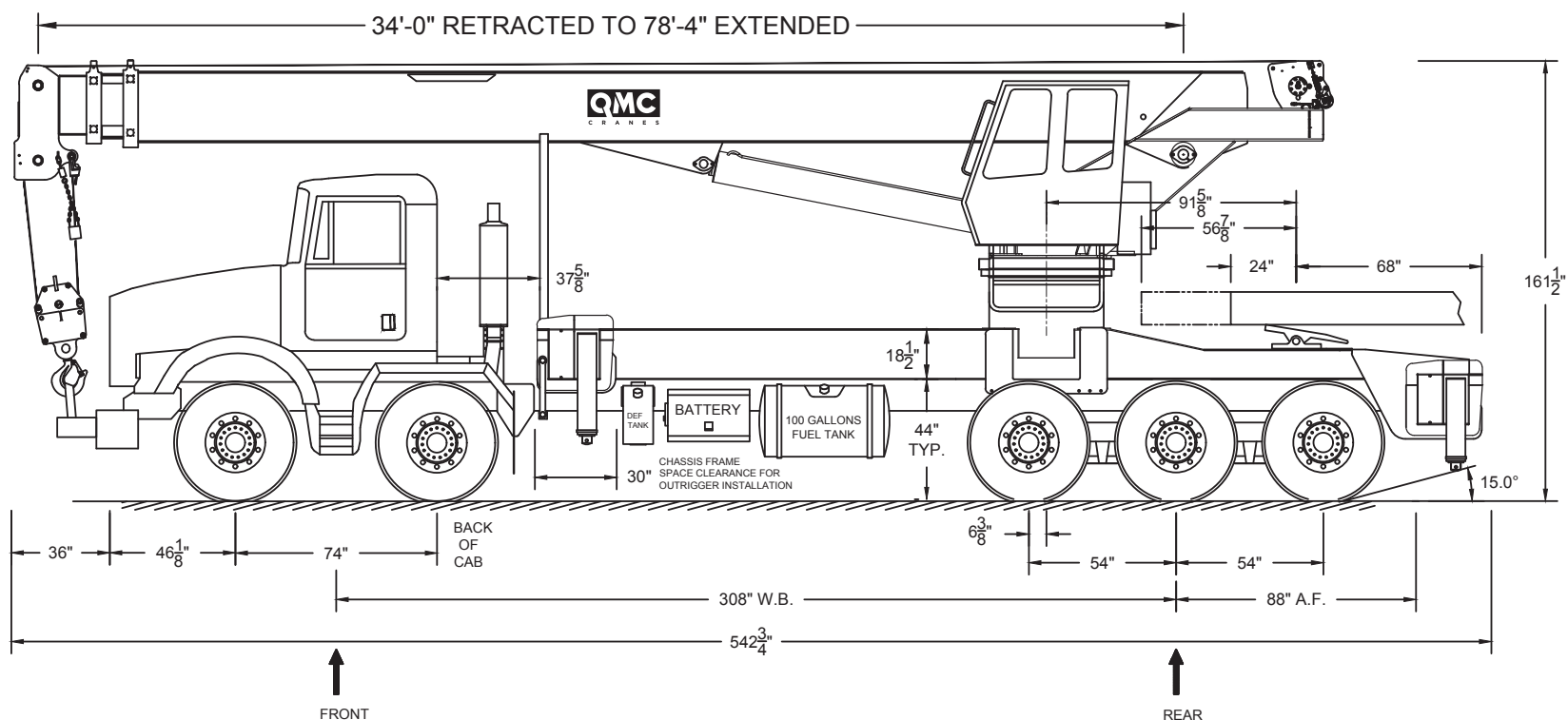


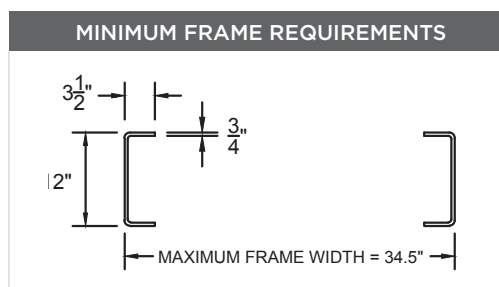
QMC 8078S

TRACTOR MOUNT

ASME B30.5
IMPERIAL 85%



BASIS OF DESIGN		
ITEM	DESCRIPTION	REMARKS
Tractor chassis		Per customer
Driver weight	250 pounds	Included in analysis
Fuel tank	100 gallons	Included in analysis
Hydraulic tank	100 gallons	Included in analysis, location may vary



Minimum section modulus per rail = 39.8 in.³
Minimum yield strength = 110 KSI

WEIGHT DISTRIBUTION			
	FRONT	REAR	TOTAL
Tractor	15,550	13,460	29,010
Crane	14,180	25,700	39,880
Totals	29,730	39,160	68,890

Total axle limits shown are based on Federal D.O.T. regulations bridge formula.

Truck dimensions, weights, payload, and lifting performance representative of design baseline. Variations from information shown (truck weights, wheel base, front axle to back of cab, and more) may be accommodated and may result in adjustment of payload, payload size, and crane lifting capacity. Contact QMC Cranes with your requirements.

